



Index

Issued: 02/96
Revised:

Division	3
Section	C

Division 3

MINIBLOCK-V	C -
SHORTBLOCK	C -
MINIBLOCK-H	D -

Note: Always check Master Price List for replacement part numbers.

Tecumseh products made in Italy by
TECUMSEH EUROPA S.p.A.



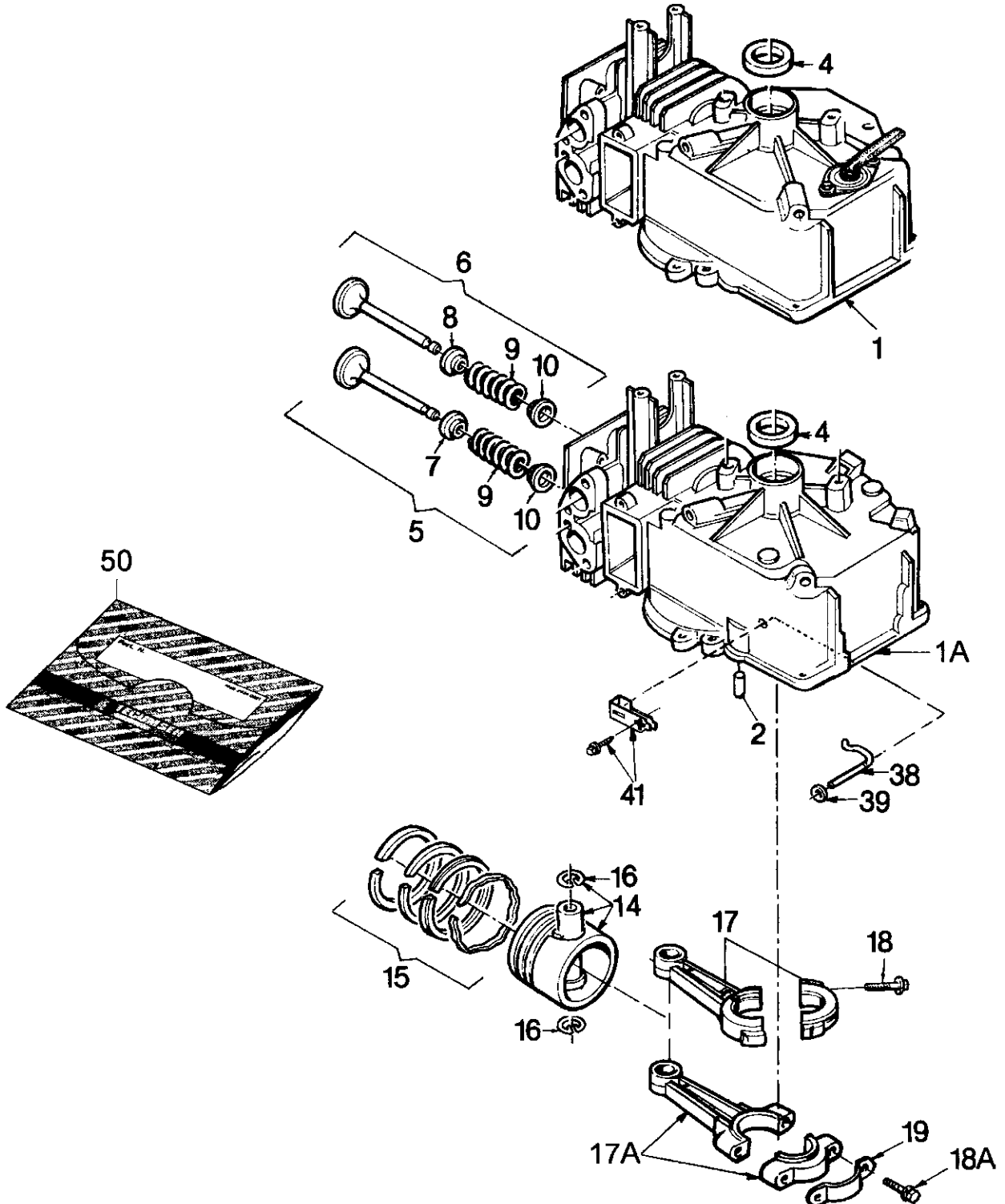


MINIBLOCK-V

Division 3
Section C

Issued: 02/96
Revised: 08/97

15810013,15810020,15810021,15810022,15810023



MINIBLOCK-V Models

Issued: 02/96
Revised: 08/97



Ref.No.	Part No.	Part Name
1	16010060	Cylinder Assy. (Inc.-2,4)(63.50 mm Bore) 15810021
1	16010061	Cylinder Assy. (Inc.-2,4)(66.60 mm Bore) 15810022
1	16010071	Cylinder Assy. (Inc.-2,4)(71.00 mm Bore) 15810023
1A	16010059	Cylinder Assy. (Inc.-2,4)(63.50 mm Bore) 15810020
2	29410001	Dowel Pin
4	29610017	* Oil Seal
5	16130001	Intake Valve (Inc.-9,10)(Std)
5	16130002	Intake Valve (Inc.-9,10)(OS. 0.80 mm)
6	16140009	Exhaust Valve (Inc.-9,10)(Std)
6	16140010	Exhaust Valve (Inc.-9,10)(OS. 0.80 mm)
7	19610001	Intake Valve Seal
8	22470008	Upper Valve Spring Keeper
9	27910003	Valve Spring
10	22470006	Lower Valve Spring Keeper
14	16090007	Piston & Pin Assy. (Inc.-16)(Std 63.50 mm Bore)
14	16090008	Piston & Pin Assy. (Inc.-16)(OS. 0.25 mm)
14	16090009	Piston & Pin Assy. (Inc.-16)(OS. 0.50 mm) 15810020 ,0021
14	16090027	Piston & Pin Assy. (Inc.-16)(OS. 0.25 mm)
14	16090028	Piston & Pin Assy. (Inc.-16)(OS. 0.50 mm)
14	16090029	Piston & Pin Assy. (Inc.-16)(Std 66.60 mm Bore) 15810022
14	16090033	Piston & Pin Assy. (Inc.-16)(Std 71.00 mm Bore)
14	16090034	Piston & Pin Assy. (Inc.-16)(OS. 0.25 mm)
14	16090035	Piston & Pin Assy. (Inc.-16)(OS. 0.50 mm) 15810023
15	16100009	Ring Set (Std 63.50 mm Bore)
15	16100010	Ring Set (OS. 0.25 mm)
15	16100011	Ring Set (OS. 0.50 mm) 15810020 ,0021
15	16100018	Ring Set (Std 66.60 mm Bore)
15	16100019	Ring Set (OS. 0.25 mm)
15	16100020	Ring Set (OS. 0.50 mm) 15810022
15	16100024	Ring Set (Std 71.00 mm Bore)
15	16100025	Ring Set (OS. 0.25 mm)
15	16100026	Ring Set (OS. 0.50 mm) 15810023
16	29450004	Piston Pin Retainer
17	16110010	Connecting Rod (Inc.-18) 15810021 ,0022,0023
17A	16110006	Connecting Rod (Inc.-18A,19) 15810020
18	29190164	Screw 1/4-20 (L=23mm) 15810021 ,0022,0023
18A	29180039	Screw 1/4-20 (L=25mm)
19	29490025	Connecting Rod Clip 15810020
38	22750009	Governor Rod
38	22750010	Governor Rod
39	29510029	Washer

Note: Always check Master Price List for replacement part numbers.

Tecumseh products made in Italy by

TECUMSEH EUROPA S.p.A.



MINIBLOCK-V Models

Issued: 02/96
Revised: 08/97

Division	3
Section	C

Ref.No.	Part No.	Part Name
41	16500009	Governor Lever Clamp
50	16610031	Gasket Set

Note: Always check Master Price List for replacement part numbers.

Tecumseh products made in Italy by
TECUMSEH EUROPA S.p.A.

MINIBLOCK-V - 3

3

Division
Section

MINIBLOCK-V

Issued: 02/96
Revised: 08/97



Tecumseh products made in Italy by

TECUMSEH EUROPA S.p.A.

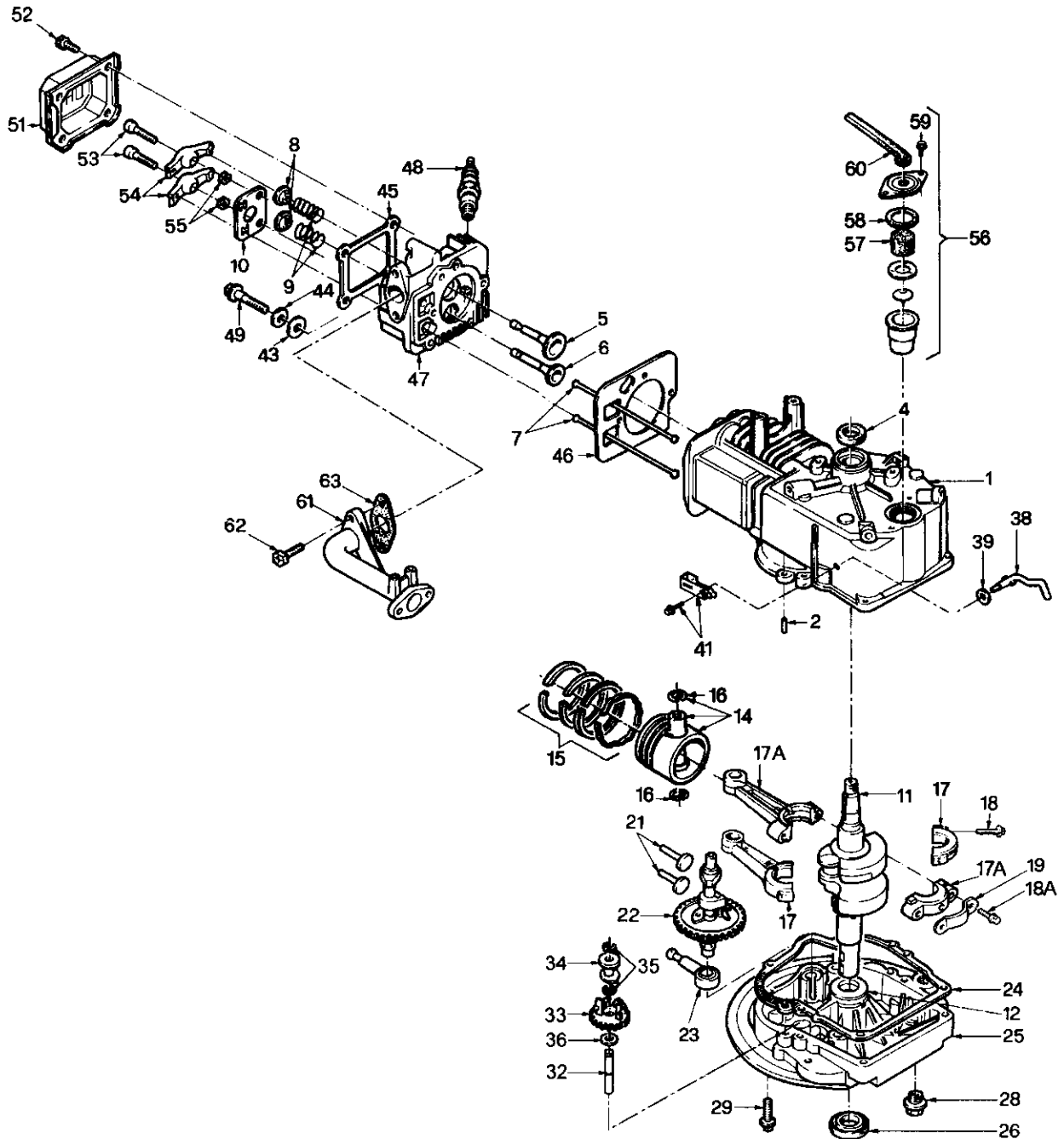


SHORTBLOCK

Division 3
Section C

Issued: 02/96
Revised:

10500004



Tecumseh products made in Italy by

TECUMSEH EUROPA S.p.A.

SHORTBLOCK - 1

3	Division
C	Section

SHORTBLOCK Models

Issued: 02/96
Revised:



Ref.No.	Part No.	Part Name
1	16010030	Cylinder Assy. (Inc.-2,4)(63.50 mm Bore)
2	29410001	Dowel Pin
4	29610017	* Oil Seal
5	16130007	Intake Valve (Inc.-8,9)(Std)
5	16130008	Intake Valve (Inc.-8,9)(OS. 0.80 mm)
6	16140007	Exhaust Valve (Inc.-9,10)(Std)
6	16140008	Exhaust Valve (Inc.-9,10)(OS. 0.80 mm)
7	22450002	Push Rod
8	22470006	Lower Valve Spring Keeper
9	27910003	Valve Spring
10	22450003	Push Rod Guide
11	16070036	Crankshaft
12	29520006	Thrust Washer
14	16090007	Piston & Pin Assy. (Inc.-16)(Std 63.50 mm Bore)
14	16090008	Piston & Pin Assy. (Inc.-16)(OS. 0.25 mm)
14	16090009	Piston & Pin Assy. (Inc.-16)(OS. 0.50 mm)
15	16100009	Ring Set (Std 63.50 mm Bore)
15	16100010	Ring Set (OS. 0.25 mm)
15	16100011	Ring Set (OS. 0.50 mm)
16	29450004	Piston Pin Retainer
17A	16110006	Connecting Rod (Inc.-18A,19)
18A	29180039	Screw 1/4-20 (L=25mm)
19	29490025	Connecting Rod Clip
21	22440004	Valve Lifter
22	16120015	Camshaft (MCR)
23	16160004	Oil Pump Assy
24	29630001	* Flange Assy. Gasket
25	16030013	Flange Assy. (Inc.-26,28,32)
26	29610018	* Oil Seal
28	29320035	Oil Drain Plug
29	29190075	Screw 1/4-20 (L=30mm)
32	22720001	Governor Shaft
33	16170001	Governor Gear
34	22740001	Governor Spool
35	29450005	Governor Gear Retainer
36	29510015	Washer
38	22750009	Governor Rod
39	29510029	Washer
41	16500009	Governor Lever Clamp
43	29510086	Washer
44	29510085	Belleville Washer
45	29630110	* Rocker Arm Cover Gasket
46	29620021	* Cylinder Head Gasket
47	16050001	Cylinder Head (Inc.-5,6,8,9,10,45,53,54,55)
48	29010023	Spark Plug
49	29180072	Screw 5/16-18 (L=39mm)
51	27520018	Rocker Arm Cover
52	29190192	Screw 1/4-20 (L=12mm)
53	29180071	Screw 1/4-28 (L=30mm)
54	22450001	Rocker Arm
55	29210038	Nut 1/4-28
56	16190003	Breather Assy. (Inc.-57,58,59,60)
57	27140005	Breather Element
58	29630111	* Breather Gasket
59	29190186	Screw 10-24 (L=14mm)

Note: Always check Master Price List for replacement part numbers.

Tecumseh products made in Italy by

TECUMSEH EUROPA S.p.A.



SHORTBLOCK Models

Issued: 02/96
Revised:

Division	3
Section	C

Ref.No.	Part No.	Part Name
60	21670009	Breather Tube
61	21510015	Intake Pipe
62	29170058	Screw 1/4-20 (L=25mm)
63	29630103 *	Intake Pipe Gasket

Note: Always check Master Price List for replacement part numbers.

Tecumseh products made in Italy by
TECUMSEH EUROPA S.p.A.

SHORTBLOCK - 3

3

Division

C

Section

SHORTBLOCK

Issued: 02/96

Revised:



Tecumseh products made in Italy by

TECUMSEH EUROPA S.p.A.

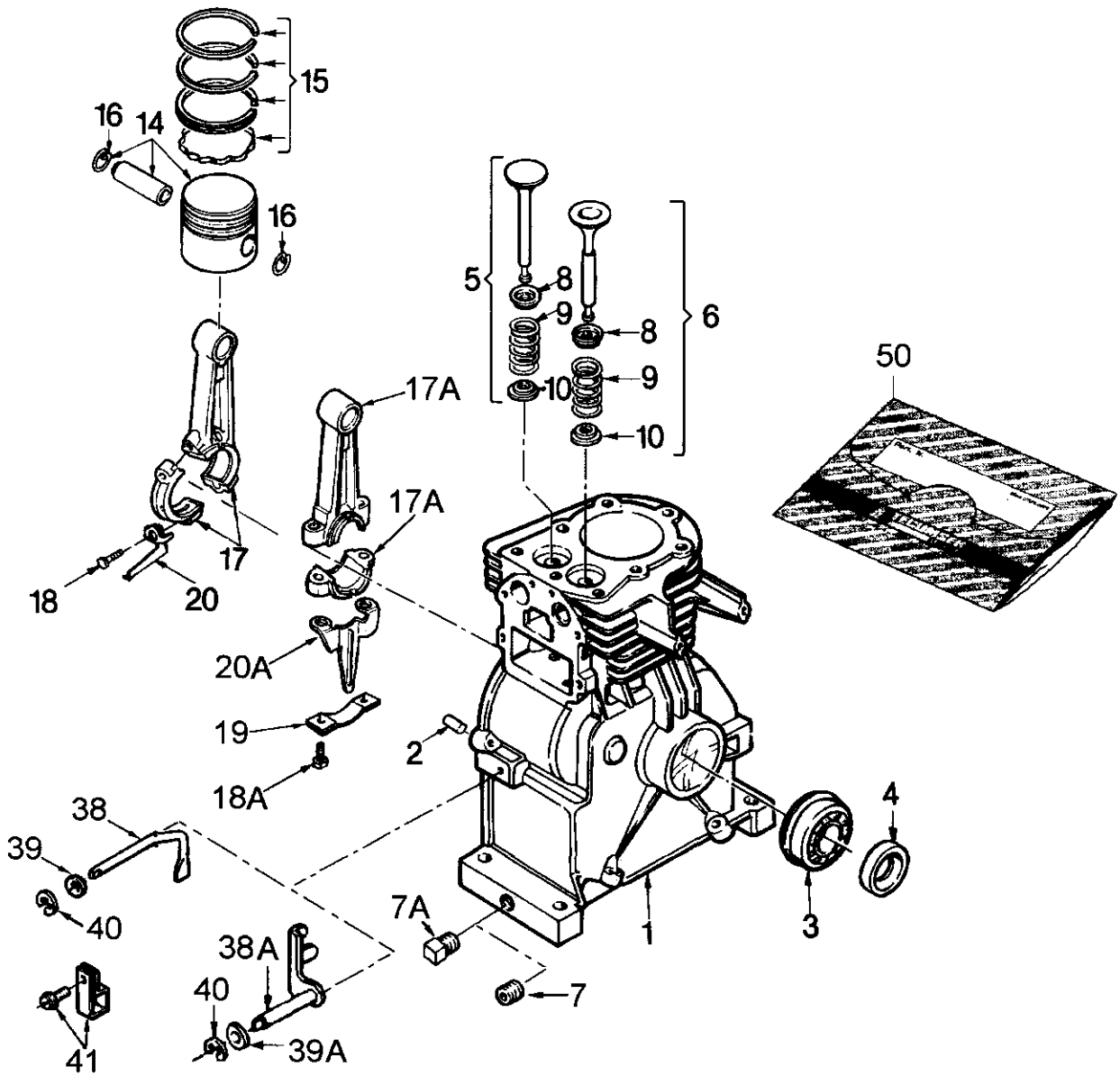


MINIBLOCK-H

Division 3
Section D

Issued: 02/96
Revised: 08/98

15810014,15810015,15810016,15810017,15810018,15810019,15810024,15810025,15810026,15810027



Tecumseh products made in Italy by

TECUMSEH EUROPA S.p.A.

3	Division
	Section

MINIBLOCK-H Models

Issued: 02/96
Revised: 08/98



Ref.No.	Part No.	Part Name
1	16010065	Cylinder Assy. (Inc.-2,3,4,7)(66.60 mm Bore) 15810017
1	16010066	Cylinder Assy. (Inc.-2,3,4,7)(66.60 mm Bore) 15810019
1	16010067	Cylinder Assy. (Inc.-2,3,4,7)(71,00 mm Bore) 15810024
1	16010068	Cylinder Assy. (Inc.-2,3,4,7)(71,00 mm Bore) 15810018
1	16010084	Cylinder Assy. (Inc.-2,3,4,7)(71,00 mm Bore) 15810025
1	16010085	Cylinder Assy. (Inc.-2,3,4,7)(63.50 mm Bore) 15810026
1	16010088	Cylinder Assy. (Inc.-2,3,4,7)(66.60 mm Bore) 15810027
2	29410001	Dowel Pin
3	27430009	Ball Bearing
4	29610034 *	Oil Seal
5	16130001	Intake Valve (Inc.-9,10)(Std)
5	16130002	Intake Valve (Inc.-9,10)(OS. 0.80 mm)
6	16140009	Exhaust Valve (Inc.-9,10)(Std)
6	16140010	Exhaust Valve (Inc.-9,10)(OS. 0.80 mm)
7	29320003	Oil Drain Plug
7A	29320096	Oil Drain Plug 15810025 ,0026
8	22470008	Upper Valve Spring Keeper 15810017 ,0018,0019,0024
9	27910003	Valve Spring
10	22470006	Lower Valve Spring Keeper
14	16090007	Piston & Pin Assy. (Inc.-16)(Std 63.50 mm Bore)
14	16090008	Piston & Pin Assy. (Inc.-16)(OS. 0.25 mm)
14	16090009	Piston & Pin Assy. (Inc.-16)(OS. 0.50 mm) 15810026
14	16090027	Piston & Pin Assy. (Inc.-16)(OS. 0.25 mm)
14	16090028	Piston & Pin Assy. (Inc.-16)(OS. 0.50 mm)
14	16090029	Piston & Pin Assy. (Inc.-16)(Std 66.60 mm Bore) 15810017 ,0027
14	16090030	Piston & Pin Assy. (Inc.-16)(Std 66.60 mm Bore)
14	16090031	Piston & Pin Assy. (Inc.-16)(OS. 0.25 mm)
14	16090032	Piston & Pin Assy. (Inc.-16)(OS. 0.50 mm) 15810019
14	16090033	Piston & Pin Assy. (Inc.-16)(Std 71.00 mm Bore)
14	16090034	Piston & Pin Assy. (Inc.-16)(OS. 0.25 mm)
14	16090035	Piston & Pin Assy. (Inc.-16)(OS. 0.50 mm) 15810018 ,0024,0025
15	16100009	Ring Set (Std 63.50 mm Bore)
15	16100010	Ring Set (OS. 0.25 mm)
15	16100011	Ring Set (OS. 0.50 mm) 15810026
15	16100015	Ring Set (Std 66.60 mm Bore)
15	16100016	Ring Set (OS. 0.25 mm)
15	16100017	Ring Set (OS. 0.50 mm) 15810019
15	16100018	Ring Set (Std 66.60 mm Bore)
15	16100019	Ring Set (OS. 0.25 mm)

Note: Always check Master Price List for replacement part numbers.

Tecumseh products made in Italy by

TECUMSEH EUROPA S.p.A.



MINIBLOCK-H Models

Issued: 02/96
Revised: 08/98

Division	3
Section	D

Ref.No.	Part No.	Part Name
15	16100020	Ring Set (OS. 0.50 mm) 15810017 ,0027
15	16100024	Ring Set (Std 71.00 mm Bore)
15	16100025	Ring Set (OS. 0.25 mm)
15	16100026	Ring Set (OS. 0.50 mm) 15810018 ,0024,0025
16	29450004	Piston Pin Retainer
17	16110011	Connecting Rod (Inc.-18,20) 15810017 ,0018,0019,0024,0025,0027
17A	16110007	Connecting Rod (Inc.-18A, 19,20A) 15810026
18	29190164	Screw 1/4-20 (L=23mm) 15810017 ,0018,0019,0024,0025,0027
18A	29180039	Screw 1/4-20 (L=25mm)
19	29490025	Connecting Rod Clip 15810026
20	22330006	Oil Dipper 15810017 ,0018,0019,0024,0025,0027
20A	22330005	Oil Dipper 15810026
38	22750014	Governor Rod 15810017 ,0024
38	22750017	Governor Rod 15810025 ,0026,0027
38A	12720003	Governor Rod 15810018 ,0019
39	29510015	Washer 15810025 ,0026,0027
39	29510029	Washer 15810017 ,0024
39A	29510015	Washer 15810018 ,0019
40	29450006	Governor Rod Retainer 15810017 ,0024
40	29450021	Governor Rod Retainer 15810018 ,0019,0025,0026,0027
41	16500010	Governor Lever Clamp 15810017 ,0018,0024
50	16610030	Gasket Set

Note: Always check Master Price List for replacement part numbers.

Tecumseh products made in Italy by
TECUMSEH EUROPA S.p.A.

3

Division

D

Section

MINIBLOCK-H

Issued: 02/96

Revised: 08/98



Tecumseh products made in Italy by

TECUMSEH EUROPA S.p.A.